



Suitable for temporary  
Commercial use.

SPECTRUM SERIES

# ASTRAL HIRE SOLAR LIGHTING COLUMN

[solarvisionlt.co.uk](http://solarvisionlt.co.uk)

**SOLAR  
VISION**  
LIGHTING TECHNOLOGIES

# ASTRAL HIRE SOLAR LIGHTING COLUMN

## TECHNICAL SPECIFICATIONS

<b>Product Type</b>	<b>ASTRAL HIRE U20W</b>
<b>Fixture IP</b>	IP67
<b>Material</b>	Aluminium Die Casting
<b>LED Type</b>	Philips Lumileds
<b>CCT Range</b>	<4000K
<b>CRI</b>	>81
<b>Luminous Flux</b>	3200lm
<b>Pole Height</b>	5 Metres
<b>Rated Power</b>	20w - 30w
<b>Luminaire Efficiency</b>	160
<b>Certificates</b>	CE - ROHS - IP67 - IK08 - LM79 - LM82 - TM21 - FCC - CB - IECCE

### Battery Pack

<b>Battery Type</b>	Lithium Iron Phosphate - LiFeP04 (2000 Cycles)
<b>Battery Lifetime</b>	>4000 Cycles DOD 50% or >2000 Cycles at 100% DOD
<b>Charge Time</b>	3 Hours

### Control System

Programmable MPPT Controller / Wireless Intelligent Control

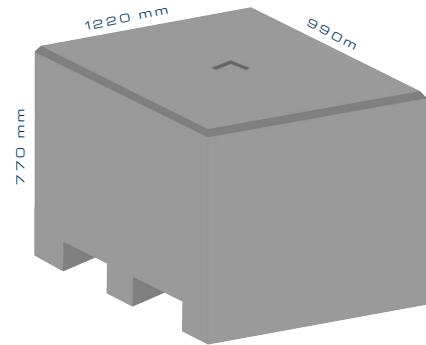
### Solar Charge

<b>Structure</b>	Aluminium Alloy
<b>Dimensions (mm)</b>	228 x 200 x 2065
<b>Pmax</b>	200wp
<b>Vmp</b>	36V
<b>Solar Cell Efficiency</b>	21.20%
<b>Cable</b>	MC4 0.6 meter
<b>Operating Temp.</b>	-30°C - 70°C
<b>Certificates</b>	CE - ROHS - FCC - IP67 - LM80 - COC - IK10 - LM79 - SABER - CB

### Controller

<b>Charge Mode</b>	MPPT AC/DC Hybrid Controller
<b>System Voltage</b>	12V/24V
<b>Load Conversion Efficiency</b>	90%-86%
<b>Setting Method</b>	By Remote Control
<b>Operating Temp.</b>	-35°C - +65°C
<b>IP Rating</b>	IP67

## PORTABLE CONCRETE FORKLIFT PAD



## PRODUCT INFORMATION

Our ASTRAL Lighting Column offers you the ability to quickly and simply install temporary lighting without breaking ground and with the latest generation LED lamps powered by solar energy.

We can offer you a 100% portable solar lamp, Completely off the grid. The portable column on a concrete pad offers you the flexibility to move the column with your projects needs. Our aim is to offer a flexible solution for projects and thereby be in a position to meet the different demands of customers with regard to their lighting requirements.

Our ASTRAL Lighting Column is equipped with advanced LED and photovoltaic technology. The vertical design of the SOLAR WRAP® provides for very low maintenance, reducing the need for cleaning, which maximises yields at all times.